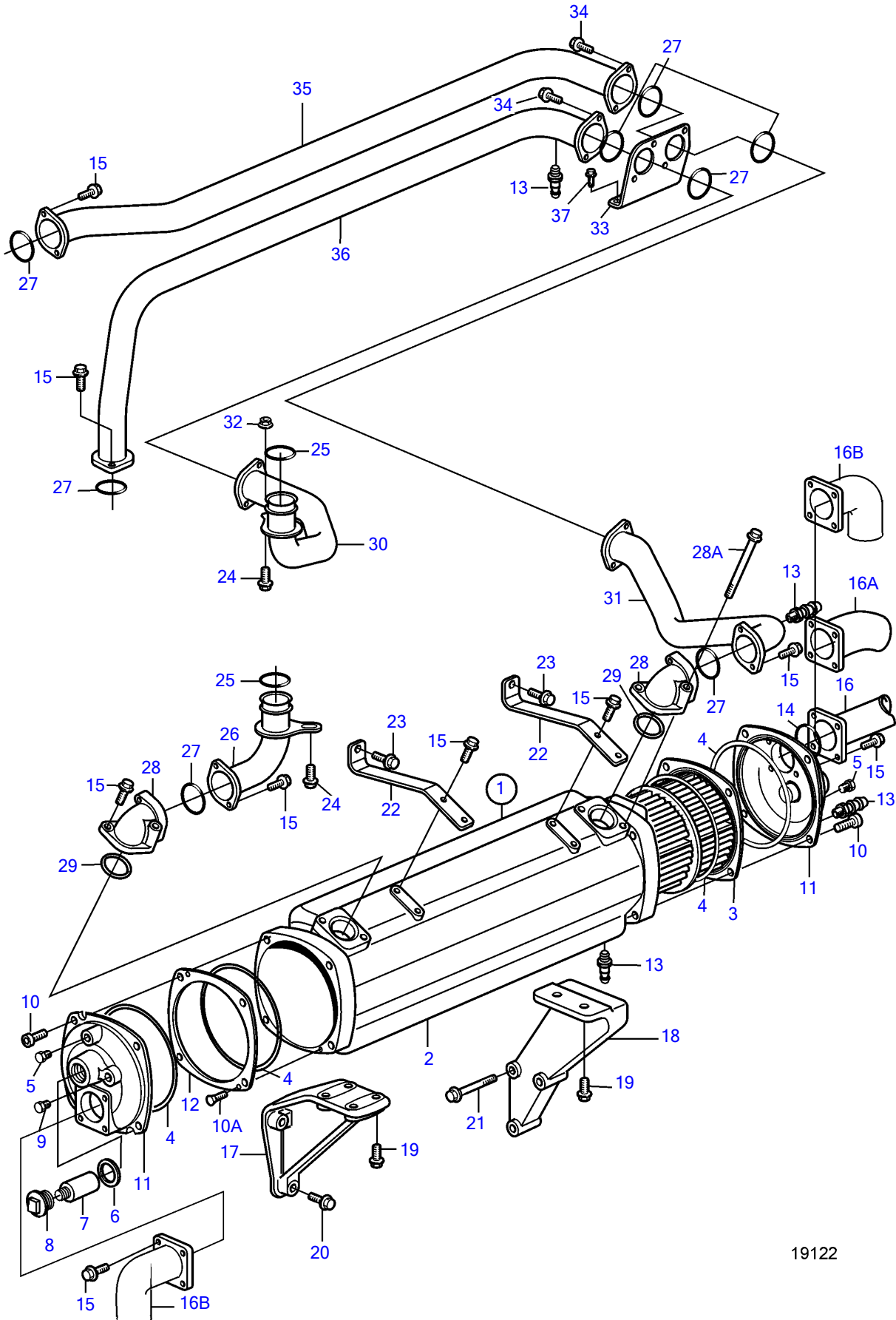


D12D-A MG, D12D-E MG



19122

D12D-A MG, D12D-E MG

REF	PART NO.	QTY	DESCRIPTION	NOTES
1		1	Heat exchanger	Early type
2	3827954	1	• Heat exchanger	(3830698)
3	3830696	1	• Insert	
4	3826783	4	• O-ring	
5	982364	2	• Plug	
6	836169	2	• Gasket	
7	823661	2	• Zinc anode	
8	823662	2	• Plug	
9	982363	1	• Plug	
10	959224	8	• Hex. socket screw	L=35mm
10A	942001	4	• Hex. socket screw	L=16mm
11	3830697	2	• End plate	
12	3830694	1	• Spacer	
13	949918	4	Shut-off cock	
14	843584	1	Gasket	
15	946173	18	Flange screw	
16		1	Water pipe, oil cooler-rev.gear	See oil cooler for reversing gear, group 26.
16A	3830257	1	Riser, hose connecting	Alt 30°
16B	3830255	X	Riser, hose connecting	Alt 90°
17	865377	1	Bracket	Obsolete part
18	865376	1	Bracket	
19	946752	6	Flange screw	
20	965220	3	Flange screw	
21	965188	3	Flange screw	
22	3827441	2	Bracket	
23	965217	2	Flange screw	
24	948217	2	Flange screw	
25	1547253	2	Sealing ring	
26	865930	1	Coolant pipe, charge air cooler	
27	864491	8	Gasket	
28	865821	2	Pipe connection	
28A	965180	2	Flange screw	
29	925069	2	O-ring	
30	3832829	1	Coolant pipe, charge air cooler	
31	3832856	1	Coolant pipe	
32	948645	1	Flange lock nut	
33	3832830	1	Bracket	
34	945444	4	Flange screw	
35	3832833	1	Coolant pipe, therm. housing	
36	3837473	1	Coolant pipe, circulation pump	
37	946471	2	Flange screw	